

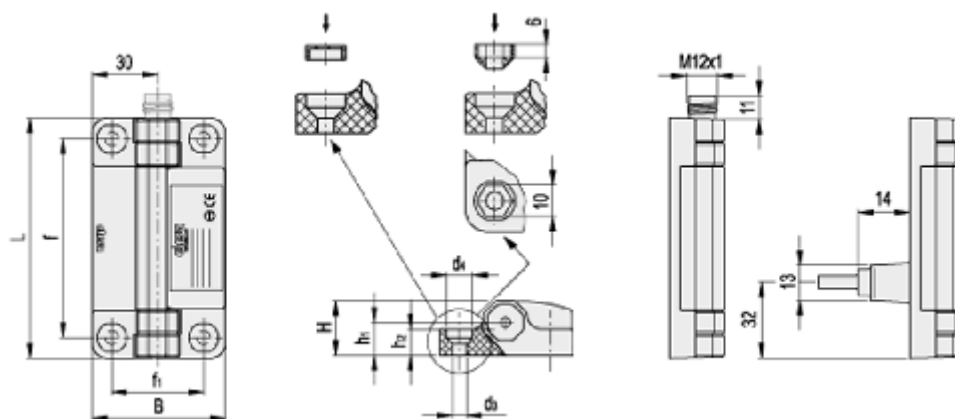
Data Sheet



Article number: 2310426661

Description: E+G hinge with safety multiple switch CFSW 110-6-1NO+3NC-C-A
SUPER technopolymer (PA)

Measures



B = 60

L1 = 110

d3 = 6.5

d4 = 12

f = 91

f1 = 42

H = 25

h1 = 15

h2 = 12